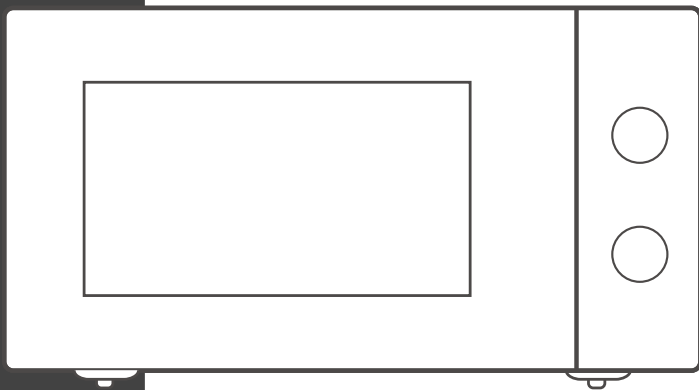




使用說明書

微波爐

額定電壓：230V~
頻率：50Hz
微波輸出功率：700W



本說明書的所有內容均已仔細檢查。如有印刷錯誤或誤解，可向本公司諮詢。

註：產品若有技術改進，將會編進新版說明書中，恕不另行通知。產品外觀、顏色如有改動，以實物為準。

預防措施

- 為避免接觸過多微波能量，請勿在微波爐運作時嘗試打開門，否則會導致有害的微波能量洩漏。切勿破壞或篡改安全聯鎖裝置。
- 請勿在微波爐正面和門之間放置任何物體或讓污垢或清潔劑殘留物積聚在密封表面上。
- **警告：**如果門或閘密封件損壞，請即停用產品並聯繫本公司的售後服務團隊，以作預約檢查及維修。

重要提示：

- 使用本產品前，請先詳細閱讀使用指南並保留以備日後參考。
- 本電器僅供室內家庭使用，請勿在戶外使用。
- 如果電器沒有保持良好的清潔狀態，其表面可能會退化，影響使用壽命並導致危險情況。

產品規格

型號：MMG2022J

額定電壓 / 頻率	230V~ 50Hz
微波輸入功率	1050W
微波輸出功率	700W
燒烤輸出功率	1000W
爐腔容量	20L
轉盤直徑	Ø255mm
微波爐尺寸 (闊 x 高 x 深)	440x258x358mm
淨重	約 11kg

安全警告

警告：為降低使用電器時發生火災、觸電、人身傷害或接觸過多微波爐能量的風險，請遵循基本的預防措施，包括以下內容：

- **警告：**為免造成觸電，請確保已關閉電源及拔除插頭，再更換燈泡。
- **警告：**需要取下微波能量防護蓋的任何服務或維修操作必須由有資格的人員執行。
- **警告：**不得在密封容器加熱液體和其他食物，否則容易發生爆炸。
- **警告：**當電器在組合模式下運行時，兒童只能在成人監督下使用微波爐，以免燙傷。
- 電器運行時，可觸及表面的溫度可能很高。
- 閱讀並遵循“預防措施（頁1）”部分的具體說明。
- 八歲或以上的小孩/ 感官與感知能力受限/ 缺乏相關知識或經驗人仕，均須在適當人員監督下安全使用。未滿八歲的小孩均不建議獨自使用本產品。
- 除非有適當人員監督下或給予如何安全使用本機的指示並讓其了解涉及的風險。本機並非設計給運動、感官與感知能力受限式缺乏相關知識或使用經驗的人（包括孩童）來使用。
- 應監督兒童以避免將本產品當成玩具，電器及電源亦應存放在兒童無法接觸的地方。
- 如果電源線損壞，請即停止使用本產品並聯絡本公司的售後服務團隊，以作預約檢查及維修。
- 如使用塑膠或紙容器加熱食物時，請密切注意微波爐，因為可能會著火。
- 確保一切容器合適在微波爐內使用。
- 如果冒煙，請關閉電源或拔下電器插頭並保持爐門關閉以撲滅火焰。
- 微波加熱飲料會導致延遲沸騰，因此在處理容器時必須小心。
- 食用前應先攪拌或搖晃奶瓶和嬰兒食品罐的內容物並檢查溫度，以免燙傷。
- 應定期清潔微波爐並清除所有食物殘渣。
- 未能保持微波爐清潔可能會導致表面劣化，從而對電器的使用壽命產生不利影響，並可能導致危險情況。
- 微波爐用於加熱食物和飲料。請勿將食品以外的物品放進微波爐中，如：衣服以及加熱保暖墊、拖鞋、海綿、濕布，可能會導致受傷、灼燒或火災。
- 該設備只能獨立使用。
- 電器背面應靠牆放置。
- 請勿在微波爐中加熱帶殼的雞蛋和整個煮熟的雞蛋，否則可能會爆炸。

- 不建議微波爐放置在櫥櫃內。
- 微波烹飪時請勿使用金屬容器盛放食物和飲料。
- 請勿使用蒸氣清潔器清潔電器。

安全警告

本電器必須接地。如果發生電氣短路，接地可以為電流提供逃逸線從而減少觸電風險。本電器配有一根帶接地線和接地插頭的電源線。插頭必須插入正確安裝並接地的插座中。

警告

接地使用不當可能會導致觸電危險。如果不完全理解接地說明或對電器是否正確接地有疑問，請諮詢合格的電工或維修人員。

如果需要使用延長線，僅使用 3 芯延長線。

危險

觸電危險：

觸摸某些內部元件可能會導致嚴重的人身傷害或死亡。請勿拆卸本電器。

警告

觸電危險：

接地使用不當會導致觸電。在電器正確安裝並接地之前，請勿插入插座。

1. 本電器提供一條短電源線，以減少被較長電源線纏住或絆倒的風險。
2. 如果使用長電源線或延長線：
 - 電線組或延長線上標記的電氣額定值應至少與電器的電氣額定值相當。
 - 延長線必須是接地型 3 芯線。
 - 較長的電源線應佈置好，避免懸垂在檯面或桌面上，以免被兒童拉扯或無意中絆倒。

清潔

如需清潔本產品，請先關閉電源並拔下插頭。

- 使用後用微濕布清潔微波爐內腔。
- 用肥皂水按常規方法清潔配件。
- 門框及密封件和周邊部件髒汙時必須用濕布仔細清潔。
- 請勿使用粗糙的研磨清潔劑或鋒利的金屬刮刀清潔微波爐門玻璃，否則會劃傷表面，從而可能導致玻璃破碎。
- 清潔技巧 -- 為了更容易清潔煮熟的食物可能接觸到的腔壁：將半個檸檬放入碗中，加入 300 毫升水，以 100% 微波功率加熱 10 分鐘。使用柔軟的幹布將微波爐擦拭乾淨。

適用容器

注意

需要取下微波能量防護蓋的任何服務或維修操作必須由有資格的人員執行。請參閱“適用於微波爐的物料”或“不適用於微波爐的物料”中的說明。

可能有些非金屬容器不適用於微波爐。如果有疑問，可以按照以下程式測試相關容器。

容器測試

- 將 1 杯冷水（250 毫升）與相關容器一起放入微波爐安全容器中。
- 以最大功率烹飪 1 分鐘。
- 仔細感受器皿。如果空器皿是熱的，請勿將其用於微波爐烹飪。
- 烹飪時間不要超過 1 分鐘。

注意

保持腔體清潔。

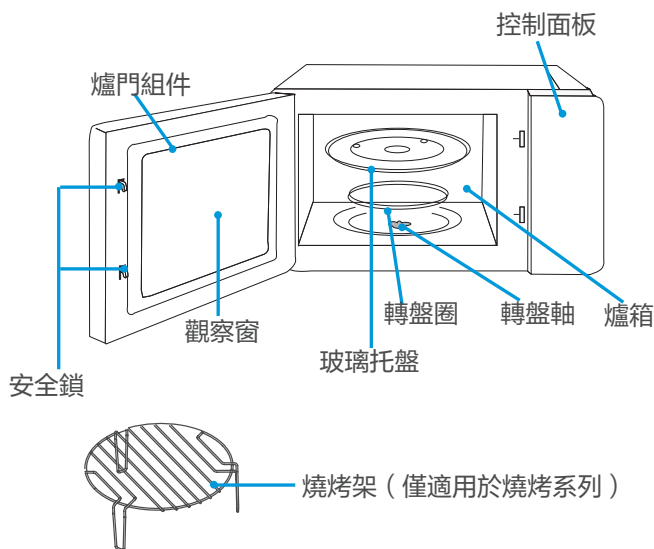
適用於微波爐的物料

器皿	備註
白朗寧盤	遵循製造商的說明。 白朗寧盤的底部必須至少高出轉盤 3/16 英寸 (5 毫米)。不正確的使用可能會導致轉盤損壞。
餐具	僅微波爐適用。遵循製造商的說明。請勿使用破裂或有缺口的盤子。
玻璃罐	必須取下蓋子。僅用於加熱食物直至溫熱。大多數玻璃罐不耐熱，可能會破裂。
玻璃器皿	僅限耐熱微波爐玻璃器皿。確保沒有金屬飾邊。請勿使用破裂或有缺口的盤子。
微波爐烹飪袋	遵循製造商的說明。請勿用金屬紮帶封閉袋口。留縫讓蒸氣逸出。
紙盤和紙杯	僅用於短時間烹飪 / 加熱。烹飪時微波爐必須始終有人看管。
紙巾	用於覆蓋食物以重新加熱和吸收脂肪。僅在短時間烹飪時在監督下使用。
烤盤紙	用作蓋子以防止濺出或蒸氣溢出。
塑膠	僅微波爐適用。按照製造商的說明進行操作。應貼有“微波安全”標籤。一些塑膠容器會隨著裡面的食物變熱而變軟。“蒸煮袋”和密閉的塑膠袋應按照包裝指示開縫、紮孔或排氣。
保鮮膜	僅微波爐適用。用於在烹飪過程中覆蓋食物以保持水分。請勿讓保鮮膜接觸食物。
溫度計	僅微波爐適用 (肉類和糖果溫度計)。
蠟紙	用作蓋子以防止飛濺並保持水分。

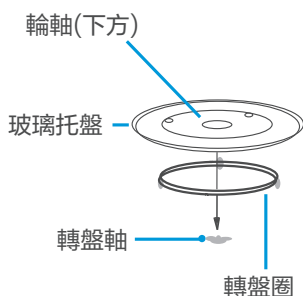
不適用於微波爐的物料

器皿	備註
鋁盤	可能會引起電弧。 應將食物轉移到微波爐安全盤中。
帶金屬手柄的食品紙盒	可能會引起電弧。 應將食物轉移到微波爐安全盤中。
金屬或金屬包邊容器	金屬會遮罩微波能量。金屬飾邊可能會引起電弧。
金屬紮絲	可能會產生電弧，並可能導致微波爐著火。
紙袋	可能會導致微波爐內著火。。
泡沫塑料	當暴露在高溫下時，泡沫塑料可能會熔化或污染內部的液體。
木頭	木材在微波爐中使用時會變乾，並可能裂開或破裂。

產品介紹



轉盤安裝



- 請勿倒置玻璃托盤。玻璃托盤須能輕鬆轉動。
- 切勿在無玻璃托盤及轉盤圈的情況下操作本機。
- 烹調時所有食物和食物的容器都應放置於玻璃托盤上面。
- 若玻璃托盤或轉盤圈破裂或損壞，請聯絡美的顧客服務中心。

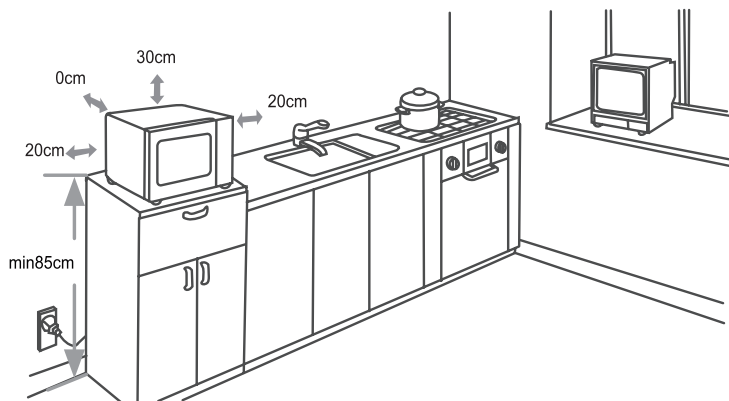
安裝說明

工作台安裝

將微波爐內的包裝物件全部拆去。請勿拆出安裝在爐腔內的淺褐色導管罩。
檢查微波爐是否有損壞，如爐門有凹痕或破損。若微波爐有損壞，請勿繼續安裝。
注意：取下所有在微波爐內部表面的保護膜。

安裝

1. 工作檯須有足夠空間給進氣口和出氣口。



- 微波爐離地面的高度不少於 85 厘米。
- 微波爐與任何相鄰牆壁或物件的最小空隙不少於 20 厘米。
- 微波爐上面至少留 30 厘米的空隙。
- 請勿拆除微波爐底部的支架。
- 阻塞入氣口和 / 或出氣口會損害微波爐。
- 將微波爐放置於遠離收音機和電視機的地方。微波爐工作時會對收音機或電視機的信號接收造成干擾。

2. 請將微波爐插入標準家用電源。確保電源的電壓和頻率與額定標籤上標示的相同。

警告：

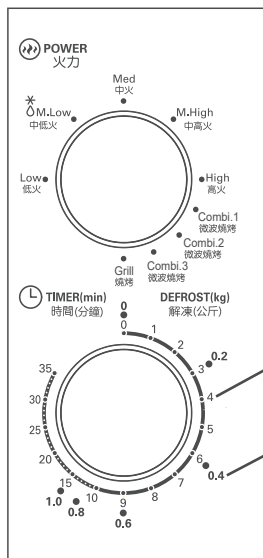


請勿將微波爐安裝於爐灶面或其他發熱電器以上。若安裝於熱源附近或上面，微波爐可能會受到損壞，保養將會無效。操作過程中可接觸面可能會變燙。

操作指引

控制面板介紹

*產品為英文面板



烹調時間

簡易時間設置，旋轉時間旋鈕設定所需烹調時間，最長烹調時間為 35 分鐘。

解凍 (公斤)

按食物重量指示設置解凍時間。

烹調火力控制

旋轉火力旋鈕設置所需的火力。

火力	微波火力
Low (低)	17% 微波
M.Low (中低火 - 解凍)	33% 微波
Med (中火)	55% 微波
M.High (中高火)	77% 微波
High (高火)	100% 微波
Combi.1 (微波燒烤)	80% 微波 + 20% 燒烤
Combi.2 (微波燒烤)	70% 微波 + 30% 燒烤
Combi.3 (微波燒烤)	60% 微波 + 40% 燒烤
Grill(燒烤)	100% 燒烤

操作

基本簡易操作如下：

一般烹調

1. 旋轉火力旋鈕設置所需的火力。
2. 轉動時間旋鈕設定所需之烹調時間。
3. 微波爐將自動開始操作，計時器開始倒數直到“0”。
4. 計時器到達“0”時，便會發出一鳴響聲，然後微波爐會自動停止操作。

解凍功能

1. 旋轉火力旋鈕設定中低火（解凍）
2. 按食物重量指示轉動時間旋鈕設定所需之烹調時間。
3. 微波爐將自動開始操作，計時器開始倒數直到“0”。
4. 計時器到達“0”時，便會發出一鳴響聲然後微波爐會自動停止操作。

功能 / 火力	微波火力	烹調食物舉例
Low 低火	17%	軟化雪糕
M.Low (Defrost) 中低火（解凍）	33%	一般解凍、軟化牛油
Med 中火	55%	燜 / 燉食物、魚類
M.High 中高火	77%	飯、魚類、雞肉或碎肉
High 高火	100%	翻熱食物、奶類、蔬菜或飲品

功能 / 火力	微波火力	烹調食物舉例
Combi.1 (微波燒烤)	80% 微波 +20% 燒烤	香腸、羊肉、烤肉、海鮮、牛扒等
Combi.2 (微波燒烤)	70% 微波 +30% 燒烤	雞塊、雞胸肉、豬扒等
Combi.3 (微波燒烤)	60% 微波 +40% 燒烤	原隻雞等
Grill(燒烤)	100% 燒烤	烤麵包、片裝肉類等

注意：

- 如要在烹調過程中取消操作，可轉動時間旋鈕到“0”。

- 如在烹調過程中打開爐門，操作將即時停止。
- 當不使用本機時，請將時間旋鈕轉動到“0”。
- 在爐內取出食物前，前確保時間旋鈕已設置到“0”。
- 禁止爐內無任何食物時操作該微波爐。此操作非常危險，很可能會損壞微波爐。

常見故障問題

正常現象

微波爐干擾電視信號

收音機和電視信號可能被干擾，當微波爐運行時。這與小家電的干擾很相似，如攪拌器、吸塵器和電風扇，這屬正常現象。

水蒸氣積在門上，熱空氣從通風孔排出

在烹調時，水蒸氣可能出自食物本身。大多將從通風孔排出，但一些可能積在較冷的地方，比如爐門上，這屬正常現象。

問題

可能的原因

解決的辦法

微波爐不能操作	(1) 電源線沒有插緊。	拔下插頭，等 10 秒後重插。
	(2) 保險絲斷或斷路器開始工作。	換保險絲或重設斷路器。(只允許專業人員進行維修。)
	(3) 插座有問題。	用其它電器測試插座。
微波爐不能加熱	(4) 爐門沒有關好。	重新關好門。

Midea

make yourself at home

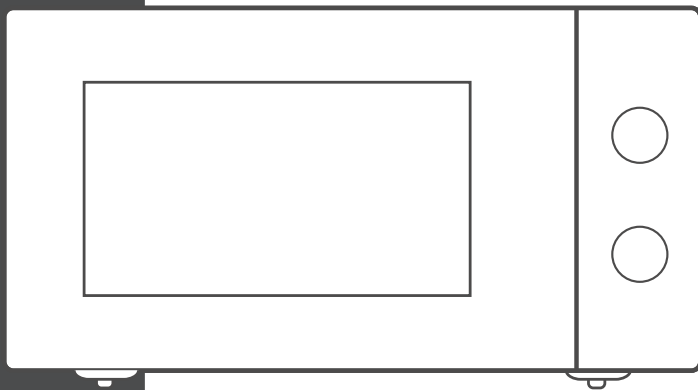


Microwave Oven

Rated voltage: 220V~

Frequency: 50Hz

Rated power: 700W



All the contents of this Guide have been checked carefully. If there are any printing errors OR misunderstanding, please contact with Midea customer service team.

NOTE: It will be compiled into the new version of the guide without any notice if involve the technical improvements.

SAFETY WARNING

- Do not attempt to operate this oven with its door open since this can result in harmful exposure to microwave energy. It is important not to break or tamper with the safety interlocks.
- Do not place any object between the oven front face and its door, or allow soil or cleaner residue to accumulate on sealing surfaces.
- **WARNING:** If the door or door seals are damaged, the oven must not be operated and contact to Midea customer service team to reserve the service of checking and repair.

IMPORTANT NOTICE:

- Please read this guide carefully before start use the appliance.
- This appliance is for indoor household use only. Do not use it at outdoor.
- If the apparatus is not maintained in a good state of cleanliness, its surface could be degraded and affect the lifespan of the apparatus and lead to a dangerous situation.

PROUDCT SPECIFICATIONS

Model No: MMG2022J

Rated Voltage/Frequency	230V~ 50Hz
Rated Input Power(Microwave)	1050W
Rated Output Power(Microwave)	700W
Rated Output Power(Grill)	1000W
Oven Capacity	20L
Turntable Diameter	Ø255mm
Product Dimensions(L x H x W)	440x258x358mm
Net Weight	Approx. 11 kg

SAFETY INSTRUCTIONS

- **WARNING:**To reduce the risk of fire, electric shock, injury to persons or exposure to excessive microwave oven energy when using your appliance, follow basic precautions, including the following:
- **WARNING:** Ensure that the appliance is switched off before replacing the lamp to avoid the possibility of electric shock.
- **WARNING:** It is hazardous for anyone other than a competent person to carry out any service or repair operation that involves the removal of a cover which gives protection against exposure to microwave energy.
- **WARNING:** Liquids and other foods must not be heated in sealed containers since they are liable to explode.
- **WARNING:** When the appliance is operated in the combination mode, children should only use the oven under adult supervision due to the temperatures generated.
- The temperature of accessible surfaces may be high when the appliance is operating.
- Read and follow the specific: "Safety Warning (on page1)"
- This appliance is not intended for use by children over eight years of age or persons with reduced physical, sensory or mental capabilities, or lack of experience and knowledge. Unless they have been given supervision or instruction concerning use of the appliance by a person responsible for their safety, children should not use this appliance.
- This appliance is not designed for use by persons with reduced physical, sensory or mental capabilities (including children), or lack relevant knowledge or experience, unless they have been given supervision or instruction concerning safe use of the appliance and understand the risks involved. The cleaning and maintenance of this appliance must not be performed by children without supervision.
- Keep the appliance and its cord out of reach of children, ensure that they do not play with the appliance.
- If the supply cord is damaged, please stop use the appliance immediately and contact to Midea customer service center to reserve the service of checking and repair.
- When heating food in plastic or paper containers, keep an eye on the oven due to the possibility of ignition.
- Only use utensils that are suitable for use in microwave ovens.
- If smoke is emitted, switch off or unplug the appliance and keep the door closed in order to stifle any flames.
- Please be carefully if heating beverages at Microwave oven, as it may happen the delayed eruptive boiling.
- In order to avoid burns, please ensure to stirred or shake and check the temperature of baby food jars.
- The oven should be cleaned regularly to remove the scrap.
- To well maintain the appliance life cycle, please keep clean the microwave oven.

- The microwave oven is intended for heating food and beverages. Except of food and beverages, please do not put other materials into the microwave oven, such as: Drying of food or clothing and heating of warming pads, slippers, sponges, damp cloth to risk of injury, ignition or fire.
- The appliance is intended to freestanding use.
- Place the back side of appliance in front of a wall.
- It may happen explode if heating the eggs with shell or boiled egg.
- This is not recommended to located the microwave oven at cabinet.
- This is not allow to use the metallic containers for heating the food and beverages.
- Please do not use the steam cleaner for cleaning the appliance.

SAFETY WARNING

This appliance must be grounded. In the event of an electrical short circuit, grounding reduces the risk of electric shock by providing an escape wire for the electric current. This appliance is equipped with a cord having a grounding wire with a grounding plug. The plug must be plugged into an outlet that is properly installed and grounded.

WARNING

Improper use of the grounding can result in a risk of electric shock. Consult a qualified electrician or serviceman if the grounding instructions are not completely understood or if doubt exists as to whether the appliance is properly grounded.

If it is necessary to use an extension cord, use only a 3-wire extension cord.

DANGER

Electric Shock Hazard:

Touching some of the internal components can cause serious personal injury or death. Do not disassemble this appliance.

WARNING

Electric Shock Hazard

Improper use of the grounding can result in electric shock. Do not plug into an outlet until appliance is properly installed and grounded.

1. A short power-supply cord is provided to reduce the risks resulting from becoming entangled in or tripping over a longer cord.

2. If a long cord or extension cord is used:

- The marked electrical rating of the cord set or extension cord should be at least as great as the electrical rating of the appliance.
- The extension cord must be a grounding-type 3-wire cord.
- The longer cord should be arranged so that it will not drape over the counter top or tabletop where it can be pulled on by children or tripped over unintentionally.

CLEANING

Ensure to switch off the appliance and unplug the socket before cleaning the appliance.

- Use a damp cloth to clean the oven cavity after used in every single time.
- Clean the accessories with soapy water.
- Use a damp cloth to clean the door frame and the parts.
- To avoid scratch or shatter the glass, do not use the harsh abrasive cleaners or sharp metal scrapers to clean the oven door glass.
- Cleaning Tip---For easier cleaning of the cavity walls that the food cooked can touch: Place half a lemon in a bowl, add 300ml water and heat on 100% microwave power for 10 minutes. Wipe the oven clean using a soft and dry cloth.

CONTAINERS

CAUTION

Personal Injury Hazard

It is a must to handle the repair and removal the microwave energy protected glass by the licensed technician.

See the instructions on "Materials suit for Microwave oven" and "Materials unsuited for Microwave oven". This is not safe to use the non-metallic containers at microwave oven, please have a container test before use.

Container Test:

- Fill a cup of cold water (250ml) to a microwave-safe container and the be tested container put into the microwave oven at once.
- Turn on with the maximum power in 1 minutes.
- If the be-tested container surface hot, this is not a container suit for microwave oven.
- The maximum testing time in 1 minutes.

NOTE

KEEP THE CAVITY CLEAN.

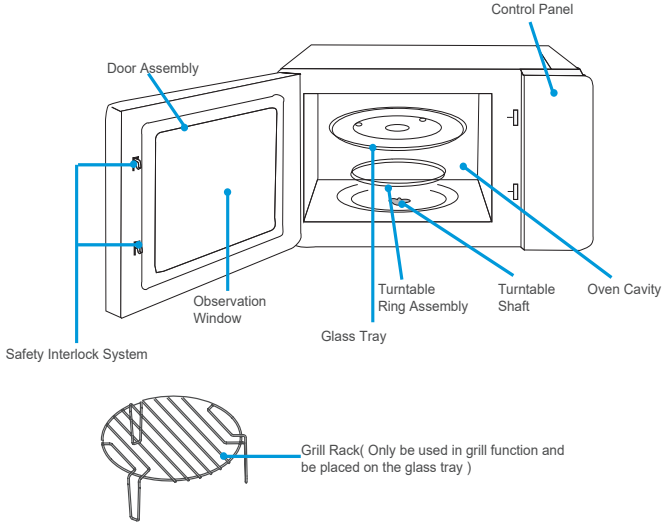
MATERIALS SUIT FOR THE MICROWAVE OVEN

Utensils	Remarks
Browning dish	Follow manufacturer's instructions. The bottom of browning dish must be at least 3/16 inch (5mm) above the turntable. Incorrect usage may cause the turntable to break.
Dinnerware	Microwave-safe only. Follow manufacturer's instructions. Do not use cracked or chipped dishes.
Glass jars	Always remove lid. Use only to heat food until just warm. Most glass jars are not heat resistant and may break.
Glassware	Heat-resistant oven glassware only. Make sure there is no metallic trim. Do not use cracked or chipped dishes.
Oven cooking bags	Follow manufacturer's instructions. Do not close with metal tie. Make slits to allow steam to escape.
Paper plates and cups	Use for short-term cooking/warming only. Do not leave oven unattended while cooking.
Paper towels	Use to cover food for reheating and absorbing fat. Use with supervision for a short-term cooking only.
Parchment paper	Use as a cover to prevent splattering or a wrap for steaming.
Plastic	Microwave-safe only. Follow the manufacturer's instructions. Should be labeled "Microwave Safe". Some plastic containers soften, as the food inside gets hot. "Boiling bags" and tightly closed plastic bags should be slit, pierced or vented as directed by package.
Plastic wrap	Microwave-safe only. Use to cover food during cooking to retain moisture. Do not allow plastic wrap to touch food.
Thermometers	Microwave-safe only (meat and candy thermometers).
Wax paper	Use as a cover to prevent splattering and retain moisture.

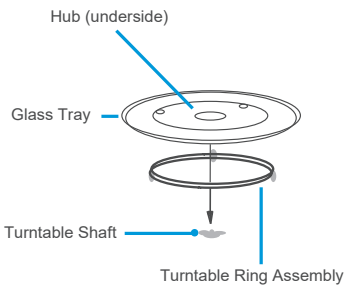
MATERIALS UNSUITED FOR THE MICROWAVE OVEN

Utensils	Remarks
Aluminum tray	May cause arcing. Transfer food into microwave-safe dish.
Food carton with metal handle	May cause arcing. Transfer food into microwave-safe dish.
Metal or metal trimmed utensils	Metal shields the food from microwave energy. Metal trim may cause arcing.
Metal twist ties	May cause arcing and could cause a fire in the oven.
Paper bags	May cause a fire in the oven.
Plastic foam	Plastic foam may melt or contaminate the liquid inside when exposed to high temperature.
Wood	Wood will dry out when used in the microwave oven and may split or crack.

PRODUCT INTRODUCTION



TURNTABLE INSTALLATION



- Never place the glass tray upside down. The glass tray should be free to rotate.
- Never operate the oven without the glass tray and turntable ring.
- All food and containers should be placed on the glass tray.
- If the glass tray or the turntable ring cracks or breaks, please contact the service centre.

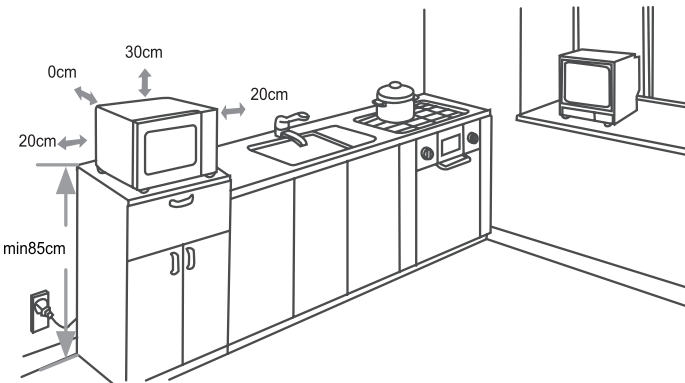
INSTALLATION INSTRUCTIONS

Remove all packing material and accessories. Do not remove the light brown Mica cover that is attached to the oven cavity to protect the magnetron. Examine the oven for any damage such as dents or broken door. Do not install if oven is damaged.

Cabinet: Remove any protective film found on the microwave oven cabinet surface.

Installation

1. Select a level surface that provide enough space for the intake and/or outlet vents.



- The minimum installation height is 85cm.
 - The rear surface of appliance shall be placed against a wall. Leave a minimum clearance of 30cm above the oven, a minimum clearance of 20cm is required between the oven and any adjacent walls.
 - Do not remove the legs from the bottom of the oven.
 - Blocking the intake and/or outlet openings can damage the oven.
 - Place the oven as far away from radios and TV as possible. Operation of microwave oven may cause interference the radio or TV reception.
2. Plug the oven into a standard household outlet. Be sure the voltage and the frequency is the same as the voltage and the frequency on the rating label.

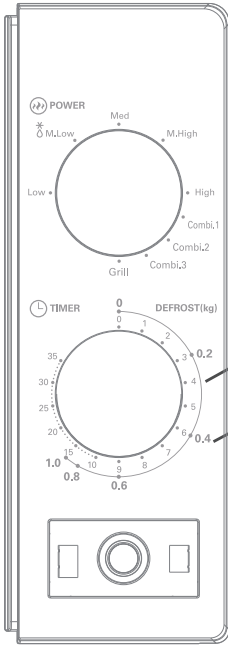
WARNING:



Do not install oven over a range cooktop or other heat-producing appliance. If installed near or over a heat source, the oven could be damaged and the warranty would be void. The accessible surface may be hot during operation.

OPERATION GUIDES

CONTROL PANEL



TIMER
Easy time setting by turning the knob to your desired cooking time up to 35 minutes.

DEFROST (kg)
Defrost guide by weight of defrost food.

COOKING POWER CONTROL

Turn to select a cooking power level.

Power	Power Output
Low	17%
M.Low (defrost)	33%
Med	55%
M.High	77%
High	100%
Combi. 1	80% microwave+ 20% grill
Combi. 1	70% microwave+ 30% grill
Combi. 3	60% microwave+ 40% grill
Grill	100%

OPERATION

Basic instructions for simple recipes as below:

General Cooking

1. Set cooking power by turning the power knob to desired level.
2. Rotate the Timer Knob to the desired cooking time.
3. The microwave oven will automatically start and timer will count down to "0"
4. When time is up, a signal bell will sound and the oven will automatically turn off.

Defrost Function

1. Set cooking power by turning the power knob to M.Low (defrost).
2. Rotate the Timer Knob to the weight of food as indicated on the defrost guide.
3. The microwave oven will automatically start and timer will count down to "0".
4. When time is up, a signal bell will sound and the oven will automatically turn off.

Function/Power	Microwave Power	Application
Low	17%	Soften ice cream
M.Low (Defrost)	33%	Soup stew, soften butter or defrost
Med	55%	Stew, fish
M.High	77%	Rice, fish, chicken, ground meat
High	100%	Reheat, milk, vegetables, beverage

Function/Power	Output	Application
Combi.1	80% grill 20% micro.	Sausage, Lamb, Kabobs, Seafood, Steak
Combi.2	70% grill 30% micro.	Chicken pieces, Chicken breasts, Pork chops
Combi.3	60% grill 40% micro.	Whole chicken
Grill	100% grill	Baken bread, Slice food

Attention :

- If you want to stop cooking before the end of the cooking time, turn the timer back to "0".
- When the oven door is opened, the operation of microwave oven will stop immediately.
- If the unit is not in use, always set the timer to "0".

- When removing food from the oven, please ensure that the oven power is switched off by turning the timer to “0”.
- It is forbidden to run the unit without any food inside. It is very dangerous.

MAINTENANCE INSTRUCTION

Cleaning

Be sure to unplug the appliance from the power supply.

- Clean the oven cavity with a slightly damp cloth after used.
- Clean the accessories with soapy water.
- The door frame, seal and neighbouring parts must be cleaned carefully with a damp cloth.

TROUBLESHOOTING

Normal Symptoms

TV signals are interrupted by microwave oven	Radio and television signals may be interrupted while the microwave oven is running. This is very similar to interference caused by small household appliances such as blender, vacuum cleaner and electric fan. It is deemed a normal phenomenon.
Water vapor accumulates on the door and hot air exhausts out from the vent	During cooking, water vapor may be generated from the food itself. Most of the water vapor will be discharged from the exhaust vent, but some may accumulate on the colder places, such as the door. This is deemed to be a normal phenomenon.

Malfunctions	Possible Causes	Troubleshooting
Oven fails to operate	(1) Power cord is not properly inserted into the socket.	Disconnect the plug and reinsert it into the socket after 10 seconds.
	(2) The fuse is broken or the circuit breaker trips.	Disconnect the plug and reinsert it into the socket after 10 seconds.
	(3) Socket failure.	Use other electrical appliances to test if the socket is functioning.
No heating occurs	(4) The door is not closed properly.	Reclose the door.

Midea

make yourself at home